

Before installation, these instructions must be fully read and understood.

### Storage & Protection

Packed valves are to be stored off the ground in a clean, dry, indoor area.

Valves are delivered with protection covers, which should be left in place until immediately before fitting to the pipe.

### End of line

Only Cat.I valves can be installed in end of line. Others categories on request. For detailed information, please refer to Product Manual.

### Operation & Maintenance

All valves are clockwise to close. Actuators on valves are set at the factory. No routine maintenance is required other than periodic inspection to ensure satisfactory operation and sealing.

Any sign of leakage from packing gland (JHP) should be addressed immediately by depressurizing the valve and tightening the gland screws and evenly (JHP). If there is any leakage, please refer to Product Manual.

### Spare parts

Only use Sapag spare parts. For detailed information please refer to Product Manual.

References on the valve label shall be quoted for any spare parts inquiry. Product Manuals (Installation, Maintenance and Operation instructions) are available on request with:

Phone : +33 (0)323 814300

Fax : +33 (0)323 814314

Website : www.altifort-pvi.com



### Life cycles of products

Upon receipt of the material, packaging waste must be sorted and recycled in accordance with local legislation.

At the end of the life of the equipment, the equipment must be decontaminated, sorted and recycled in accordance with local legislation.

### Précautions

#### WARNING

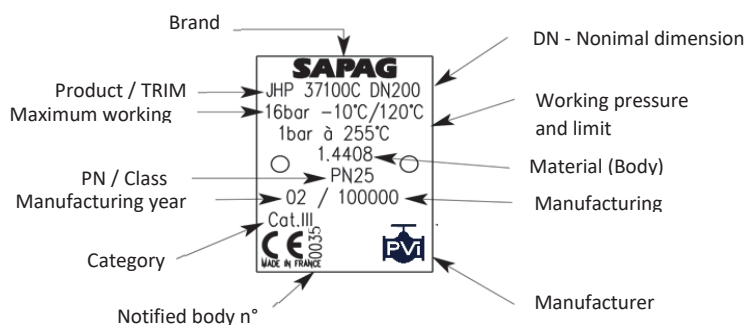
For safety reasons, it is important to take the following precautions before you start work on the valve:

1. Personnel making any adjustments to the valves should utilize equipment and clothing normally used to work with the process where the valve is installed.
2. The line must be depressurized, drained and vented before installing the valve, if necessary, to avoid injuries.
3. Personnel trained in all aspects of manual and mechanical handling techniques must carry out handling of all valves.
4. Ensure the valve pressure/temperature limitations marked on the identification label are above or equal to service conditions (P/T diagram in product manual).
5. Ensure the materials' valve with code, marked on the identification label, are compatible with the fluid process.

### Installation (detailed instructions in Product Manual)

1. Valves are bi-directional except Clasar, Monovar, JHP in special conditions.
  2. Remove protective covers.
  3. Ensure that mating flanges, valves faces and gaskets are clean and undamaged.
  4. Ensure mating pipe flanges are aligned correctly.
  5. Spread the flanges to fit the valve easily.
  6. The system will need to be flushed clean in case of particles in piping before installation.
  7. Fit the valve onto pipework ensuring easy access of the operating mechanism.
  8. Tighten the flange bolts in a diagonal pattern.
  9. Check the valve operation (no interference between disc and pipe).
- Important: Do not finish weld the flanges to the pipe with the valve in place.  
Do not install the valves JMC, JMA with gaskets.

### CE Label



### Product list

Products	Figure (5 numbers)	Category				Ref.	
		Numbers 1 & 2		Liquid			
		Type of valve		Gas	Liquid		Category max.
JMC DN50 - DN1000	3x / 6x / 7x / Ax / Bx	G1	G2	G1	G2	III	158200
JHP DN50 - DN900	37 / 77	X	X	X	X	III	158201
RTS DN8 - DN150	17 / 18 / 67 / 68	X	X	X	X	III	158202
JMA DN50 - DN300	81		X	X	X	II	158203
JPL DN50 - DN300	39		X	X	X	II	158205
JMC DN1050 - DN2400	6x / Ax		X	X	X	II	158200
Clasar DN80 - DN1800	Clasar 2x			X	X	I	158206
Monovar DN100 - DN2000	Monovar			X	X	I	158207

(1) x 7