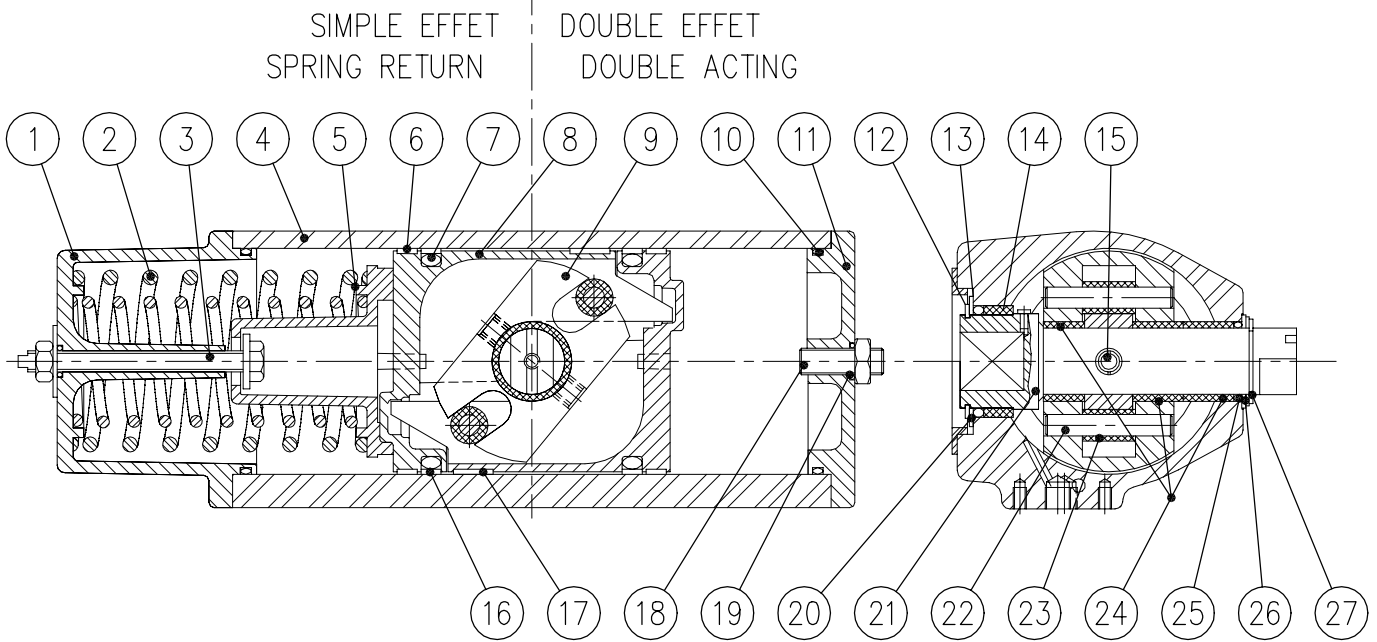


NOMENCLATURE PART LIST

TYPES DR/SR...



Rep	Nbr	DESIGNATION	MATIERE / MATERIAL
1	2	COUVERCLE / ENDCOVER (SR)	ALUMINIUM
2		RESSORT / SPRING	Spring steel ISO 683/XIV-1 Ball blasted
3	2	VIS de precontrainte / Pretensioning SCREW	INOX / STAINLESS STEEL - 7.../8...: ACIER / STEEL
4	1	CORPS / BODY	ALUMINIUM
5	2	CAGE RESSORT / SPRING STEERING	ALUMINIUM
6	1	SEGMENT / BEARING	PTFE carbon filled
7	1/2	JOINT TORIQUE / O-RING (Piston)	NITRILE
8	1/2	PISTON	ALUMINIUM
9	1	FOURCHETTE / SCOTCH YOKE	ACIER / STEEL
10	2	JOINT TORIQUE (Couvercle) / O-RING (Cover)	NITRILE
11	2	COUVERCLE / ENDCOVER (DR)	ALUMINIUM
12	1	CIRCLIPS / SRING CLIP	Spring steel ISO 683/XIV-1
13	1	RONDELLE / WASHER	POM
14	1/2	PALIER / BEARING	POM
15	2	GOUILLE / PIN	Spring steel ISO 683/XIV-1
16	1/2	BAGUE / PACKING RING	PTFE
17	1/2	SEGMENT / BEARING	POM
18	1	VIS DE BUTEE / MECHANICAL STOP	INOX./STAINLESS STEEL - 5.../8...: ACIER/STEEL
19	2	JOINT TORIQUE (Arbre) / O-RING (Shaft)	NITRILE
20	1	JOINT TORIQUE (Arbre) / O-RING (Shaft)	NITRILE
21	1	ARBRE / SHAFT	ACIER / STEEL ISO 683/1-36CrNiMo6
22	1/2	AXE / PIN	ACIER / STEEL ISO 683/11C16M2
23	1/2	ROULEMENT A AIGUILLE / BEARING ROLLER	ACIER / STEEL - 5.../8...: ACIER+BRONZE/STEEL+BRASS
24	3	PALIER / BEARING	POM
25	1	JOINT TORIQUE (Arbre) / O-RING (Shaft)	NITRILE
26	1	RONDELLE / WASHER	POM
27	1	CIRCLIPS / SRING CLIP	Spring steel ISO 683/XIV-1
	8	VIS (Couvercles) / SREW (Endcovers)	ACIER INOX. / STAINLESS STEEL

INFORMATIONS DONNEES A TITRE INDICATIF / DATAS GIVEN AS GUIDE

REV.	DATE	A	05/97												
------	------	---	-------	--	--	--	--	--	--	--	--	--	--	--	--



**PICARDIE
VALVES
INDUSTRIES**

**ACTIONNEUR PNEUMATIQUE
PNEUMATIC ACTUATOR**

156778

MAI 97

D.A.D.