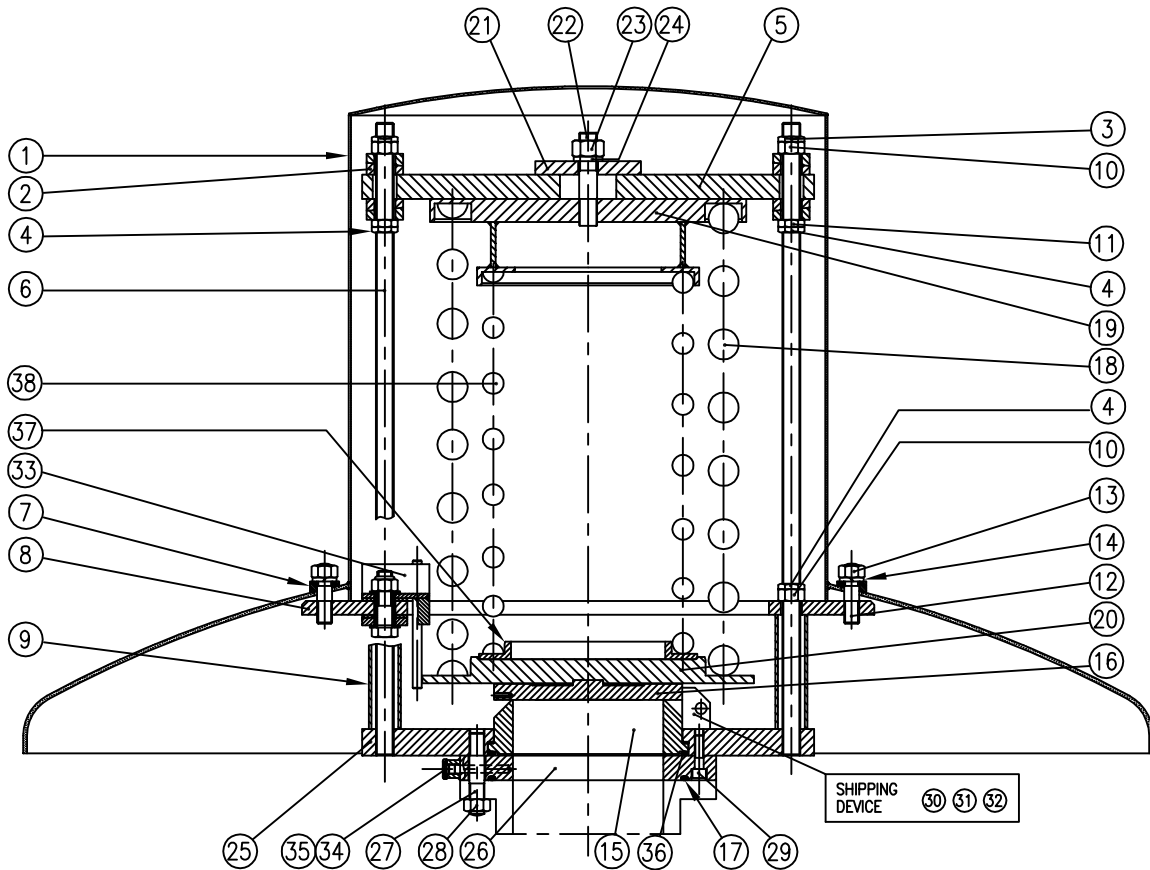


# PARTS LIST

DN125/40-25S    DN125/40-28S    PN40  
 DN200/40-25S    DN200/40-28S    PN16



REP	NB	DESIGNATION	MATERIAL
1	1	Deflector hood	S235 JR
2	24	Bevel washer	S235 JR
3	6	Leaded nut	Galvanized Steel
4	12	Locknut	Galvanized Steel
5	1	Upper plate	S235 JR
6	9	Fixed rod	Galvanized Steel
7	6	Hood washer	C35 E
8	1	Intermediate ring	S235 JR
9	6	Thick spacer tube	S235 JR
10	18	Hex. head nut	Galvanized Steel
11	6	Hex. head nut	Galvanized Steel
12	6	Stud	Galvanized Steel
13	6	Hex. head nut	Galvanized Steel
14	6	Lock washer	Galvanized Steel
15	1	Nozzle	X20Cr13
16	1	Valve disc	X20Cr13
17	3	O'ring seal	Rubber
18	1	Spring	Spring steel
19	1	Spring upper cup	S235 JR

REP	NB	DESIGNATION	MATERIAL
20	1	Spring lower cup	S235 JR
21	1	Spring locking plate	S235 JR
22	1	Stud bolt	Galvanized Steel
23	1	Hex. head nut	Galvanized Steel
24	1	Lock washer	Galvanized Steel
25	1	Bearing flange	S235 JR
26	1	Counter flange	S235 JR
27	8	Stud bolt	Galvanized Steel
28	8	Hex. head nut	Galvanized Steel
29	8	Filister head screw	Galvanized Steel
30	3	Part of collar	S235 JR
31	3	Hex. head screw	Galvanized Steel
32	3	Hex. head nut	Galvanized Steel
33	3	Stop (assembly)	S235 JR
34	2	Plug	Galvanized Steel
35	2	Rubber seal	Rubber
36	1	Washer	Rubber
37	1	Counter spring lower cup	S235 JR
38	1	Spring	Spring steel

REV	DATE	A	01/95	B	12/96	C	12/11								
-----	------	---	-------	---	-------	---	-------	--	--	--	--	--	--	--	--



PRESSURE RELIEF VALVE

155705

JANUARY 95

D A D

Ce document est la propriété exclusive de SAPAG, l'usage, la reproduction, la communication à des tiers de ce document doivent faire l'objet d'une autorisation écrite préalable de notre part. This document is the sole property of SAPAG, its use, reproduction, or disclosure to third parties, without the prior written permission of SAPAG, shall not be used, copied or disclosed to third parties.