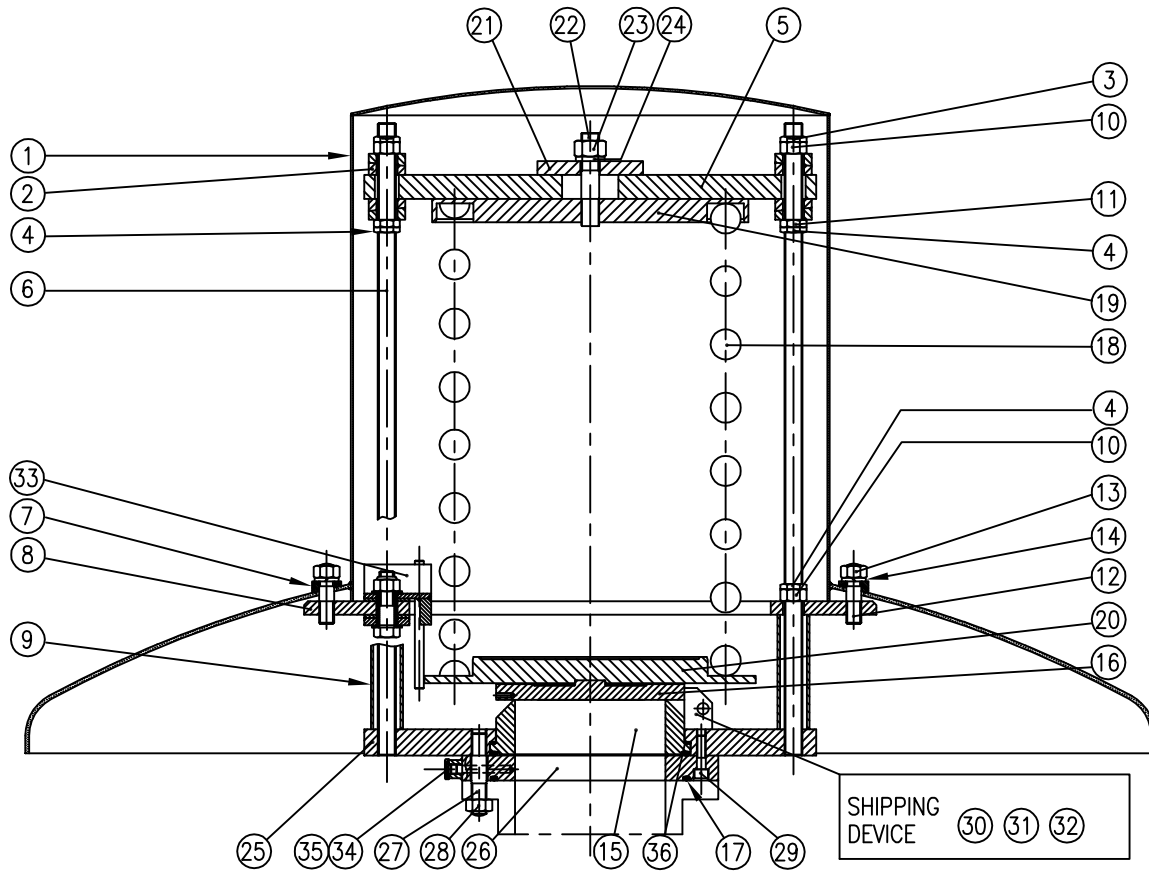


PARTS LIST

DN 50/06 to 28
PN10-100



* Nb in accordance with the PN : 4 for PN10;16;25;40;100
8 for PN50

REP	NB	DESIGNATION	MATERIAL
1	1	Deflector hood	S235 JR
2	24	Bevel washer	S235 JR
3	6	Leaded nut	Galvanized Steel
4	12	Locknut	Galvanized Steel
5	1	Upper plate	S235 JR
6	9	Fixed rod	Galvanized Steel
7	6	Hood washer	C35 E
8	1	Intermediate ring	S235 JR
9	6	Thick spacer tube	S235 JR
10	18	Hex. head nut	Galvanized Steel
11	6	Hex. head nut	Galvanized Steel
12	6	Stud	Galvanized Steel
13	6	Hex. head nut	Galvanized Steel
14	6	Lock washer	Galvanized Steel
15	1	Nozzle	X20Cr13
16	1	Valve disc	X20Cr13
17	3	O'ring seal	Rubber
18	1	Spring	Spring steel

REP	NB	DESIGNATION	MATERIAL
19	1	Spring upper cup	S235 JR
20	1	Spring lower cup	S235 JR
21	1	Spring locking plate	S235 JR
22	1	Stud bolt	Galvanized Steel
23	1	Hex. head nut	Galvanized Steel
24	1	Lock washer	Galvanized Steel
25	1	Bearing flange	S235 JR
26	1	Counter flange	S235 JR
27	*	Stud bolt	Galvanized Steel
28	*	Hex. head nut	Galvanized Steel
29	*	Filister head screw	Galvanized Steel
30	3	Part of collar	S235 JR
31	3	Hex. head screw	Galvanized Steel
32	3	Hex. head nut	Galvanized Steel
33	3	Stop (assembly)	S235 JR
34	2	Plug	Galvanized Steel
35	2	Rubber seal	Rubber
36	1	Washer	Rubber

REV | DATE | A | 01/95 | B | 12/96 | C | 12/11



PRESSURE RELIEF VALVE

155685

JANUARY 95

D A D

Ce document est la propriété exclusive de SAPAG, l'usage, la reproduction, la communication à des tiers de ce document doivent faire l'objet d'une autorisation écrite préalable de notre part. This document is the sole property of SAPAG, it shall not, without the prior written permission of SAPAG, be used, copied or disclosed to third parties.