



V9-V29-V59

BALL VALVES
GACHOT®



SAPAG VALVES

FRENCH INDUSTRIAL
VALVE MANUFACTURER

2 Rue du Marais
80400 Ham, FRANCE
+33(0)3 23 81 43 00

info@sapag-valves.com

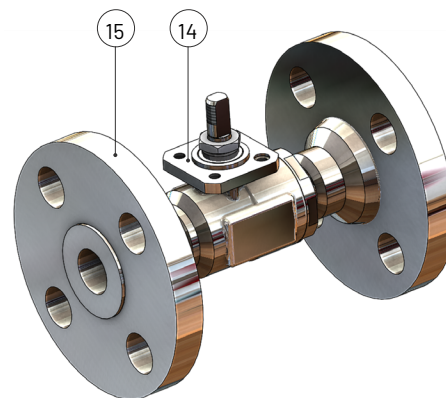
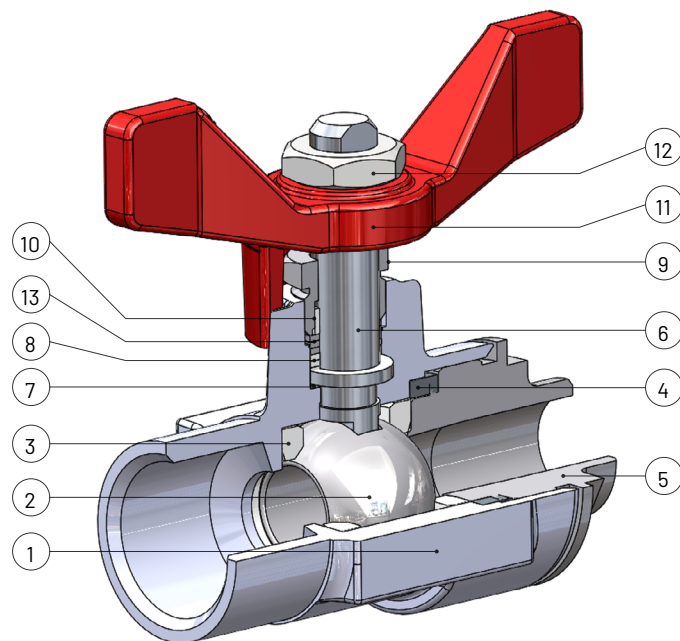
www.sapag-valves.com



<p>Performances</p>	<p>Les pressions et températures maximales dépendent de la relation pression / température et de la nature du fluide.</p> <p>Temperature, °C -196°C -50°C 225°C 700°C</p> <p>Pressure, bar 0 100 max^* 100 bar</p> <p>Diameter, mm DN8 DN150^{**} DN250</p> <p>* According to DN and design ** According to design</p>
<p>Technology</p>	<p>The GACHOT® V9 - V29 - V59 monoblock ball valves are designed and produced according to the highest standards, in order to provide excellent quality to all industrial applications.</p> <ul style="list-style-type: none"> • Reduced / full port. • Anti-ejection, guided stem. • Screwed, retightenable cable gland. • Antistatic device compliant with ISO 7121 and BS-5351 standards. • Can be fitted with electric or pneumatic actuators (double or single-acting), assembly kits are available.
<p>Applications</p>	<ul style="list-style-type: none"> • Equipment processes and operations: sampling systems, manometer valves, etc. • Stainless steel: all chemicals (acids, bases, solvents). • Carbon steel: steam, hot or cold water, compressed air and steam. • Aluminium bronze: for sea water and marine environment. <p>The V9 valve is highly valued by control and regulation departments.</p>
<p>Face to Face</p>	<ul style="list-style-type: none"> • ISO5752 Series 3 (V29) • ISO5752 Series 4 (V59)
<p>Design standard</p>	<ul style="list-style-type: none"> • Leakage rate according to EN12266-1 - Rate A (no leak) • DESP 2014/68/EU • ATEX 2014/34/EU
<p>Connection</p>	<ul style="list-style-type: none"> • V9: BW / SW / THREADED / SEATED • V29: FLANGE PN20 / ANSI CL150 • V59: FLANGE PN50 / ANSI CL300
<p>Options</p>	<ul style="list-style-type: none"> • API607 fire safe • Electrical continuity • Handwheel • ISO base flange welded on V9 (F03 or F04 for steel and stainless steel versions) • Lockable

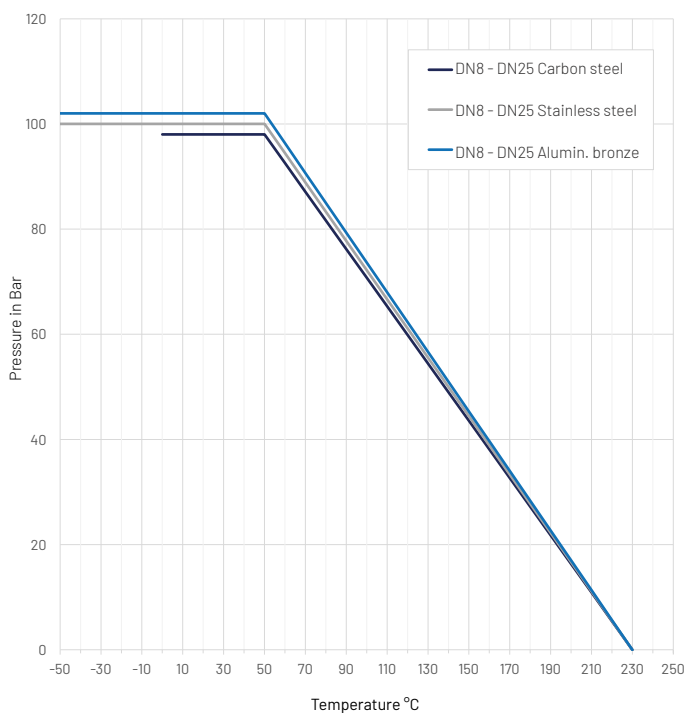
Parts List

Name	Material
① Body	Stainless steel A 182-F 316L Carbon steel ASTM A 105 Aluminium bronze
② Ball	Stainless steel 316L Aluminium bronze
③ Seat	Glass reinforced PTFE
④ Body seal	PTFE
⑤ Plug	Stainless steel 316L Aluminium bronze
⑥ Stem	Stainless steel 316L Aluminium bronze
⑦ Friction washer	PTFE
⑧ Packing	PTFE
⑨ Gland	Stainless steel 316L Aluminium bronze
⑩ Antistatic spring	Stainless steel 316L
⑪ Lever or handwheel	ASTM A47 Gr 32510
⑫ Handwheel nut	Stainless steel 304
⑬ Gland washer	Stainless steel 316L
⑭ Base flange	Stainless steel 316L Carbon steel A 306 Gr 55
⑮ Flange	Stainless steel Carbon steel



Pressure / Temperature curves

V9



V29 - V59

